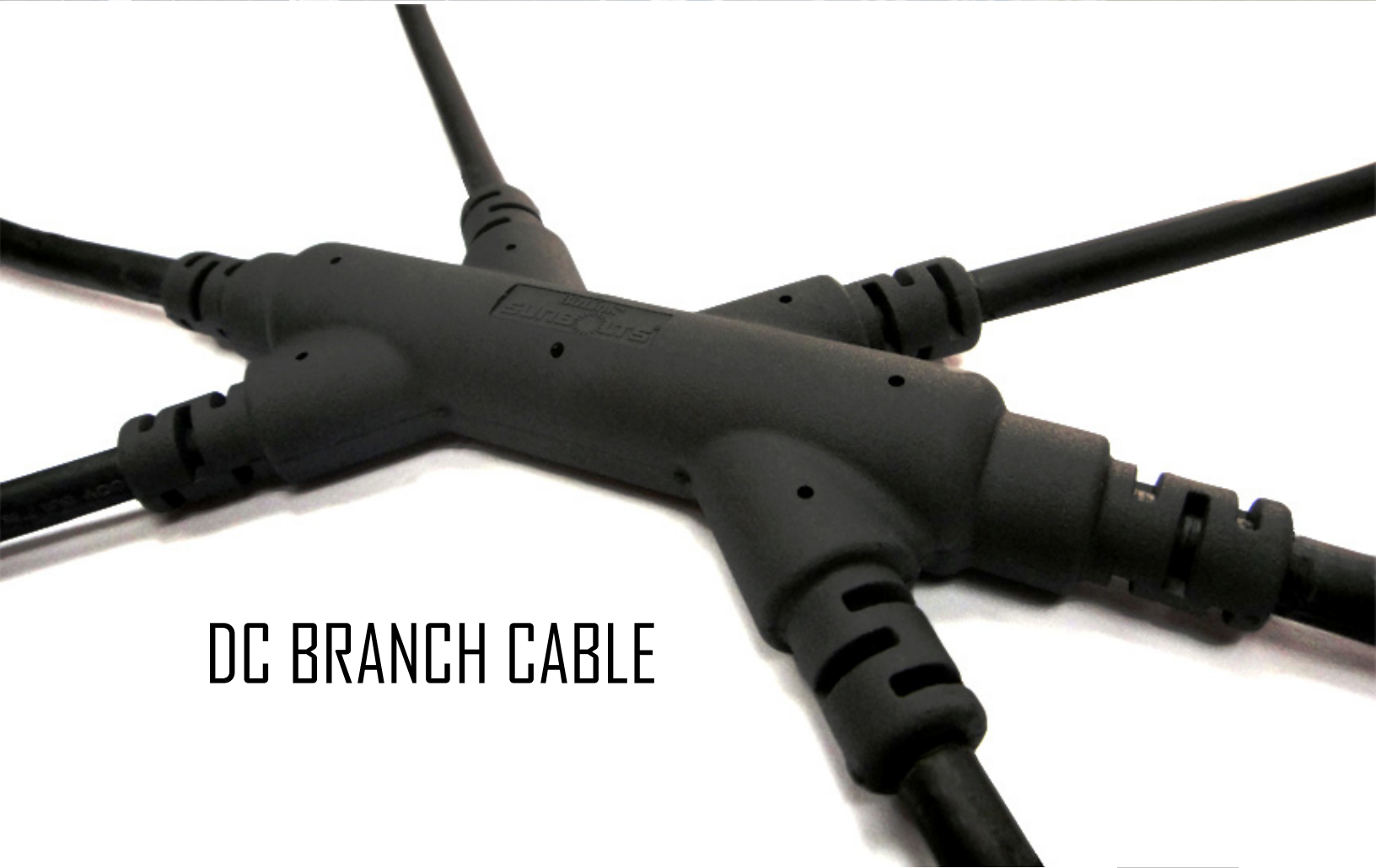


SUNBOLTS®

Photovoltaic Connection

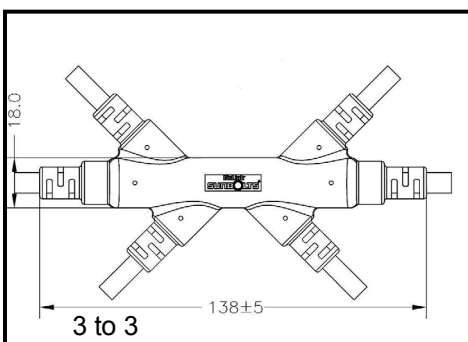
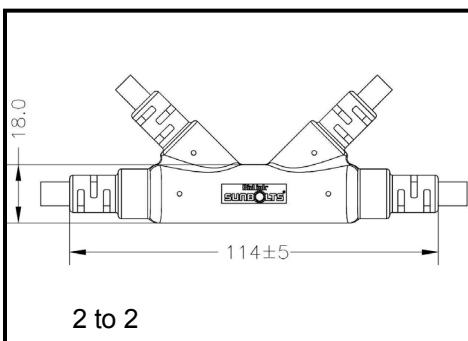
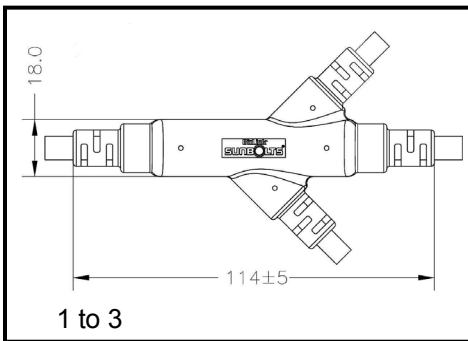
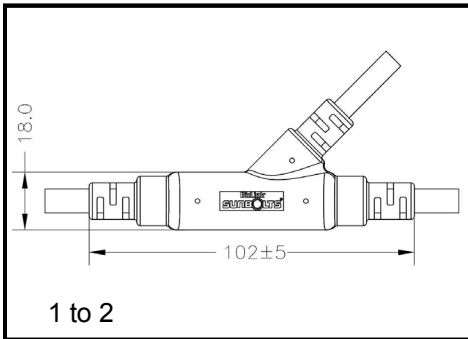


DC BRANCH CABLE

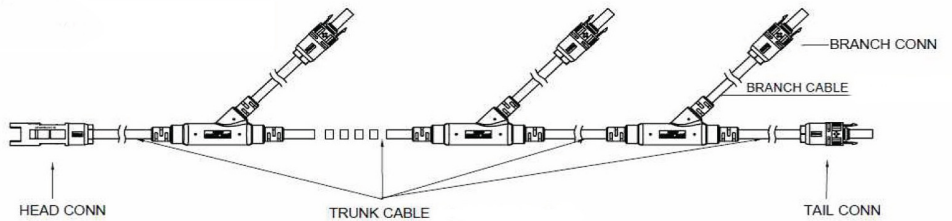
DC Branch Cable Physical Characteristics

1. Tailor-made for convenient solar module interconnects
2. Overmold Material: TPV
3. Rated current: 30A Max w/ connector
4. Rated DC Voltage: 1.8 kV
5. TÜV pending
6. RoHS compliant
7. Protection Degree: IP 67
8. Temperature range: -40 to 90°C

DC Branch Cable Types



Configuration Info:



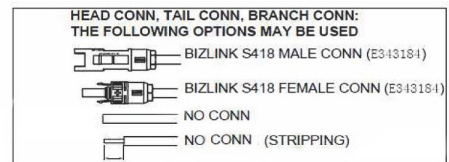
Order Info:

Product Code: SDC - _ _ _ _
A B C D

A. SDC: DC Branch Cable

B. Branch Type:

- 1: 1 to 2 branch
- 2: 1 to 3 branch
- 3: 2 to 2 branch
- 4: 3 to 3 branch



C. Cable Type:

- 0: Trunk Cable 10AWG, Branch Cable 10 AWG
- 1: Trunk Cable 12AWG Branch Cable 12AWG
- 2: Trunk Cable 10AWG Branch Cable 12AWG
- 3: Trunk Cable 12AWG Branch Cable 14AWG
- 4: Trunk Cable 10AWG Branch Cable 14AWG

D. Head + Branch + Tail Connector Type:

- 00: No conn + No conn + No conn
- 01: BizLink/SUNBOLTS Female Conn + BizLink/SUNBOLTS Male Conn + BizLink/SUNBOLTS Male Conn.
- 02: BizLink/SUNBOLTS Female Conn + BizLink/SUNBOLTS Male Conn + No conn
- 03: BizLink/SUNBOLTS Female Conn + No conn + No conn
- 04: BizLink/SUNBOLTS Male Conn + BizLink/SUNBOLTS Female Conn + BizLink/SUNBOLTS Female Conn.
- 05: BizLink/SUNBOLTS Male Conn + BizLink/SUNBOLTS Female Conn + No conn
- 06: BizLink/SUNBOLTS Male Conn + No conn + No conn
- 07: No conn + BizLink/SUNBOLTS Male Conn + BizLink/SUNBOLTS Male Conn.
- 08: No conn + BizLink/SUNBOLTS Male Conn + No conn
- 09: No conn + BizLink/SUNBOLTS Female Conn + BizLink/SUNBOLTS Female Conn.
- 0A: No conn + BizLink/SUNBOLTS Female Conn + No conn

BizLink Headquarters

3400 Gateway Blvd. Fremont,
CA 94538, USA
Tel +1.510.252.0786
Fax +1.510.252.1178
sales@bizlinktech.com

International Sales

Europe +353.1.462.6126
China +86.755.3384.5888

Japan +81.3.6279.9578
Malaysia +604.399.4428

Taiwan +886.2.8226.1000
India +91.40.4020.7673